



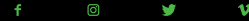
# KIOX MOUNT

**HOPE TECHNOLOGY**  
(IPCO) Limited

Hope Mill, Calf Hall Road  
Barnoldswick, Lancashire  
BB18 5PX, United Kingdom



T: 01282 851400 E: [info@hopetech.com](mailto:info@hopetech.com) W: [hopetech.com](http://hopetech.com)



## CAUTION: READ THIS BEFORE INSTALLING YOUR KIOX MOUNT!

Riding bicycles can be dangerous. These instructions should be read thoroughly before installation. Failure to follow these instructions before installing and using Hope Technology components can result in severe injury or death.

### BOX CONTENTS

- KIOX Mount • Stem Head Doctor bolt

### TOOLS REQUIRED

- 2.5mm Allen Key • 5mm Allen Key
- 6mm Allen Key • Torque Wrench

### HOPE WARRANTY

All Hope Technology components are covered for two years from original date of purchase against manufacturer defects in material and workmanship. Proof of purchase is required. Product must be returned to the original retailer to process any warranty claim. Please print and fill in the applicable returns form found on the [Tech Support](#) section of our website should you wish to send a product back. This warranty does not cover any damage caused through misuse or failing to comply by the recommendations given in this manual. This warranty does not affect your statutory rights.

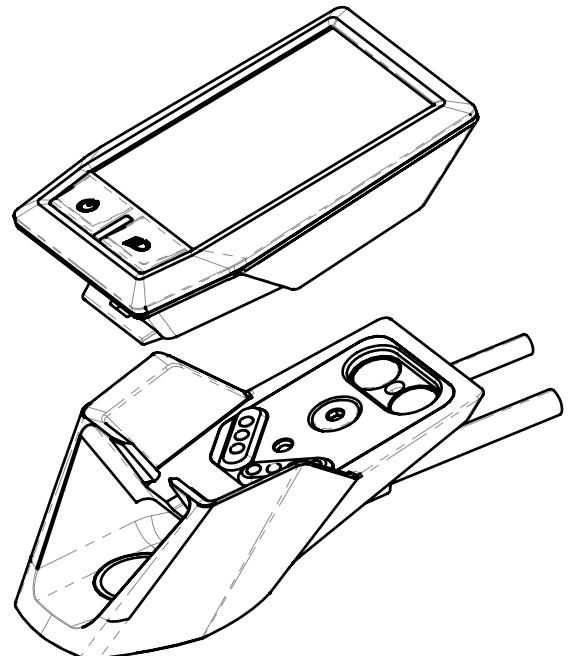
## PRELIMINARY CHECKS

**001\_**This mount is only compatible with Bosch Kiox computer display. This mount is to be only mounted on the top of the stem

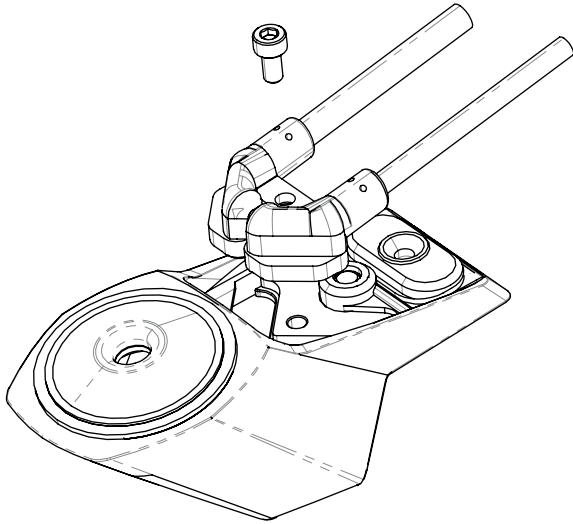
### STEP 1: REMOVING OLD MOUNT

**002\_**Remove BOSCH KIOX Mount display from support. You may have to undo the securing the screw if present.

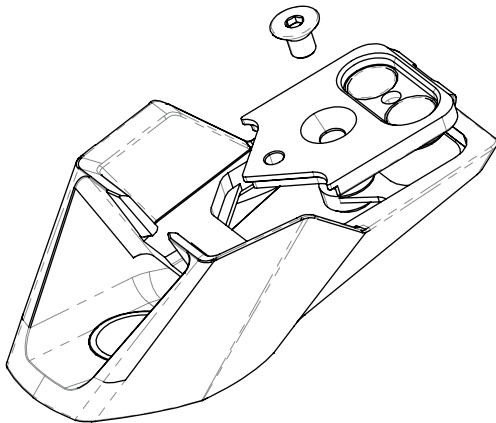
**NOTE:** Do not undo stem bolts, only the top cap screw needs to be removed.



**003\_**Remove the original mount. On the lower side, using a 2.5mm Allen key, carefully remove the M3 cap screw to release both cables and connector pins unit.



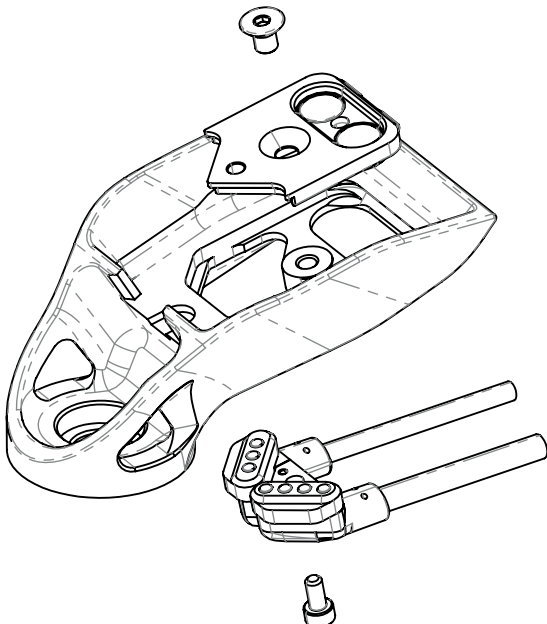
**004\_**Using a 2.5mm Allen key, remove M4 countersunk screw to release the display connection plate.



## STEP 2: CONNECTION PLATE AND CABLE INSTALLATION

**005\_**On the Hope KIOX Mount, proceed in the reverse order to re-install the display connection plate and cables.

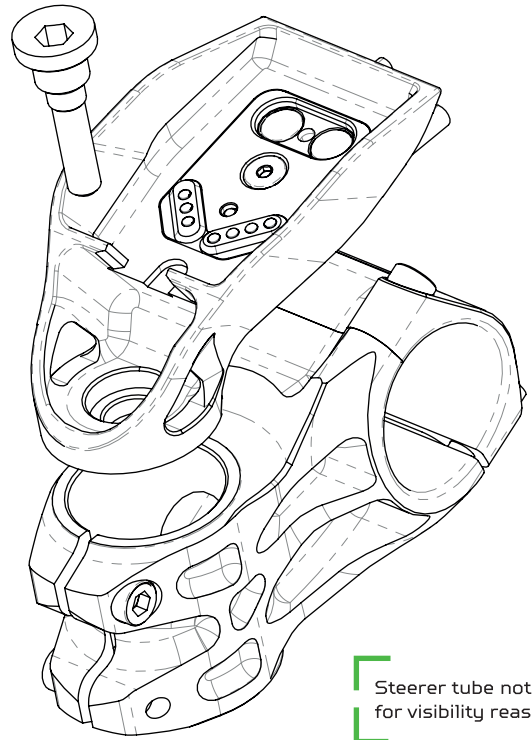
**NOTE:** The front lip of the connector plate must be engaged in the KIOX Mount V-shaped location.



## STEP 3: FINAL INSTALLATION

**006\_**Install the Hope KIOX Mount on the top of the stem using the provided screw. Fully tighten the screw using a torque wrench to **6 N.m**

**NOTE:** Make sure the screw doesn't bottom out on the star nut, it may need to be pushed down the steerer tube.



**007\_**Re-install the KIOX display computer. If you are using the securing screw it may need to be installed prior to fastening the mount onto the stem.

