



TECH_E4 CALIPER_ASSEMBLY

Connector Bolt
HBSP047

Bleed Nipple O'ring
HBSP239

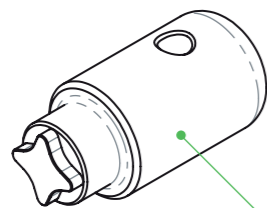
Bleed Nipple
HBSP238

Rubber Cap
HBSP240

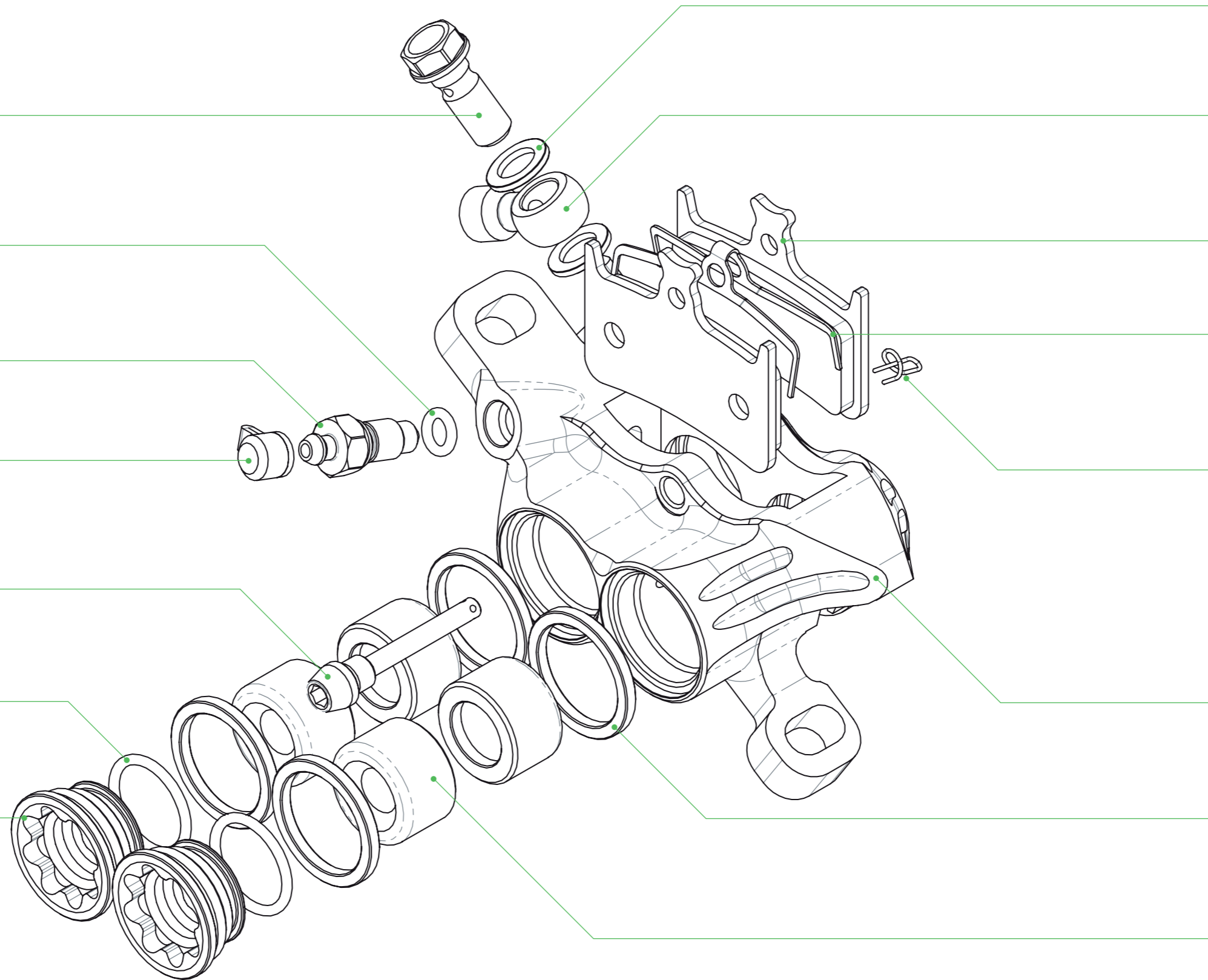
Pad Pin
HBSP204

E4 Bore Cap O'ring x 2
HBSP140

E4 Bore Cap x 2
HBSP302



Bore Cap Tool
HTTC-TC
NOT TO SCALE



M6 Sealing Washer x 2
HBSP026

90° Connector
HBSP162

E4 Brake Pad (pair)
HBSP323

Pad Spring
HBSP142

Pad Pin R Clip
HBSP171

E4 Caliper Body
HBSP324

E4 Piston Seal x 4
HBSP068

E4 Piston x 4
HBSP432