



TECH 3 MASTER CYLINDER ASSEMBLY_2019

Tech 3 Clamp
HBSP316

**M5 x 16 Alloy Cap
Screw x 2**
M516AL

Tech Piston Spring
HBSP231

**Mini Primary
Piston Seal**
HBSP109

**Mini Secondary
Piston Seal**
HBSP108

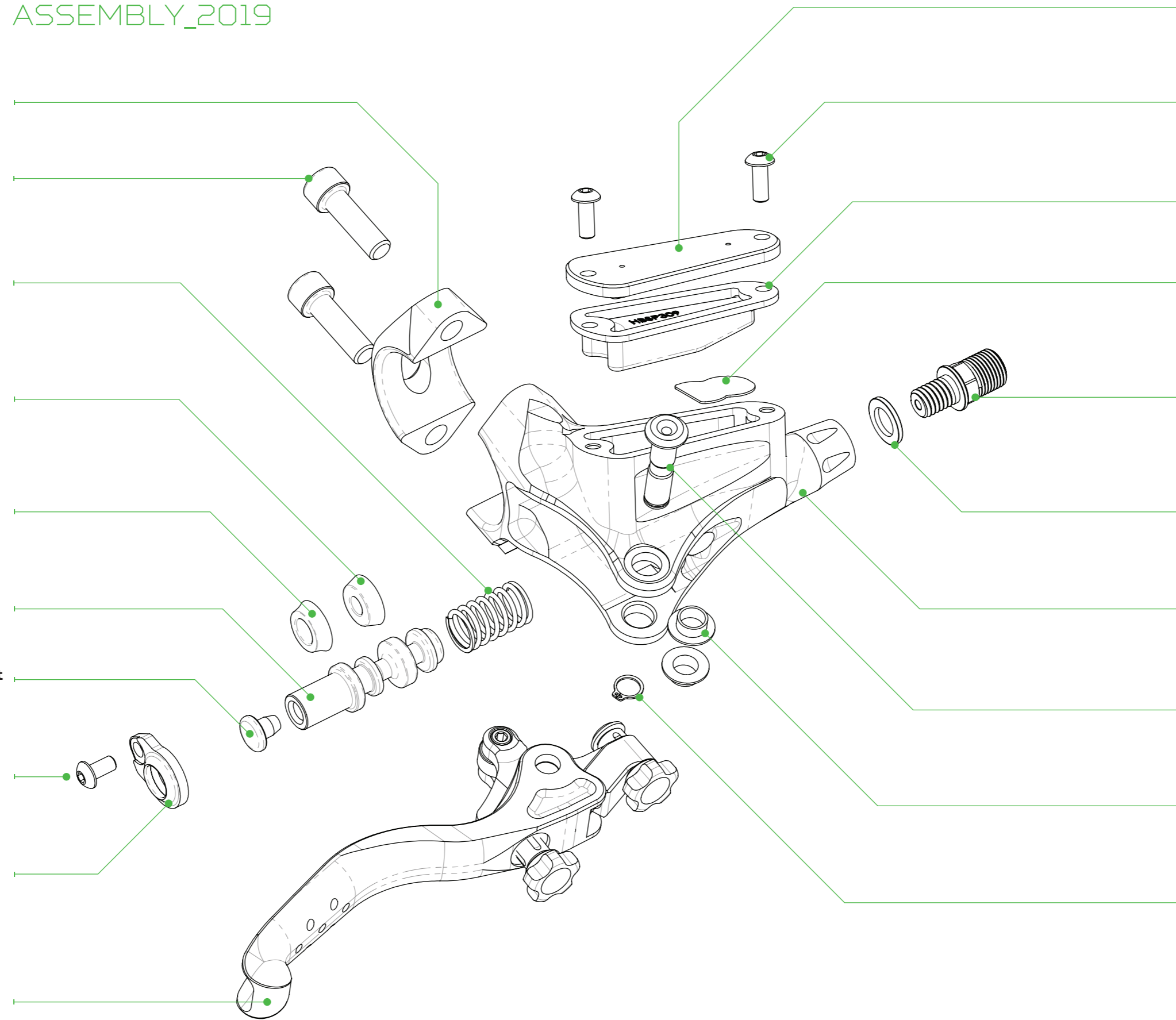
Tech 3 Piston
HBSP317

Tech Evo Piston Insert
HBSP272

Dome Head Screw
M3x6

Tech 3 Stop Plate
HBSP326

**Tech 3 Lever And Cam
Sub Assembly**



Tech 3 Lid
HBSP315

Dome Head Screw x 2
M3x8

Tech 3 Diaphragm
HBSP309

Tech 3 Deflector Plate
HBSP310

Straight Connector
HBSP163

M6 Sealing Washer
HBSP26

Tech 3 M cyl Body
HBSP314 (R or L)

Tech 3 Lever Pivot
HBSP321

Flanged Bush
HBSP313

Lever Pivot Circlip
HBSP311

