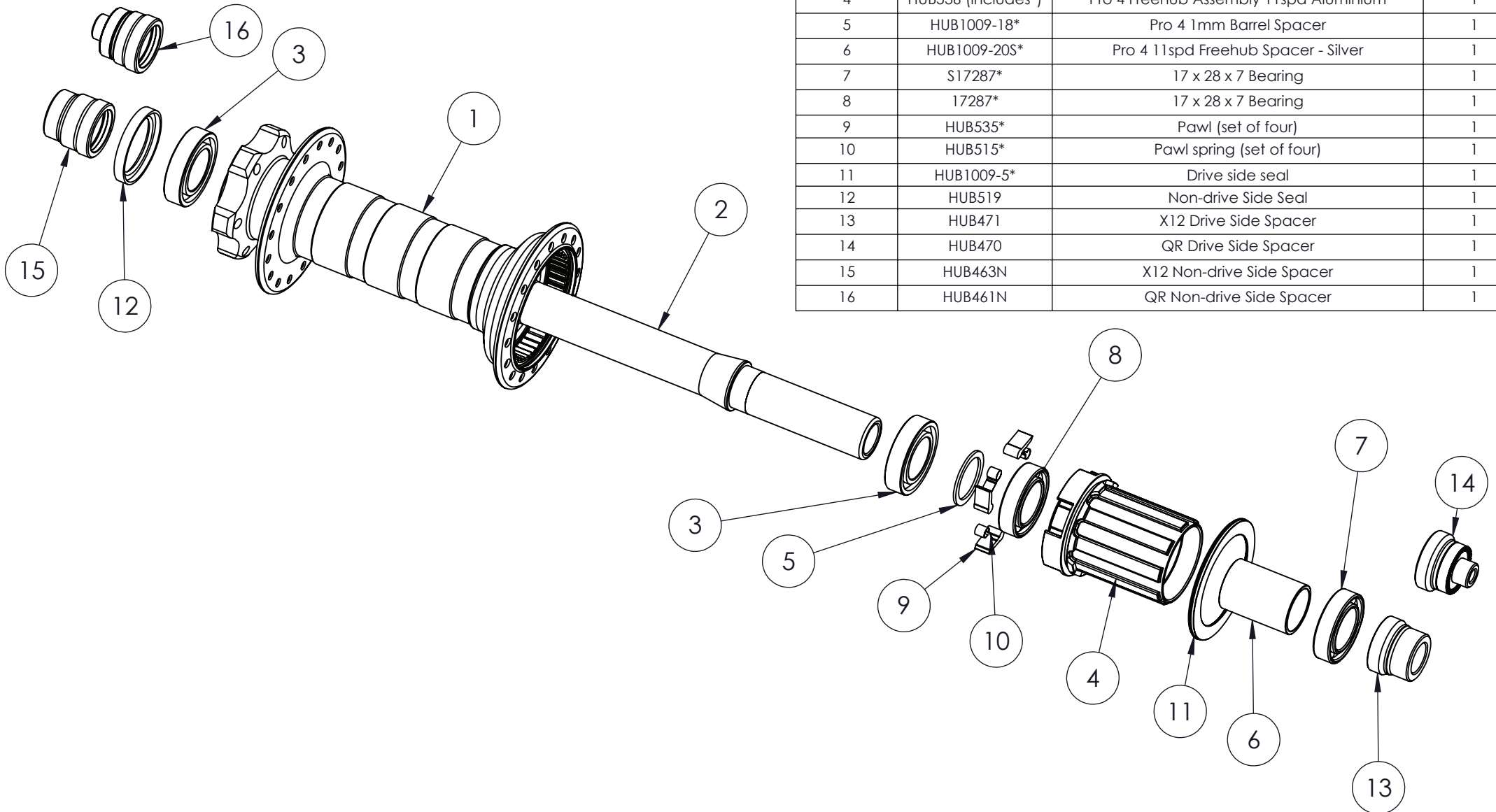


# HOPE TECHNOLOGY PRO 4 190 REAR HUB ASSEMBLY



| ITEM No. | PART No.           | DESCRIPTION                            | QTY. |
|----------|--------------------|----------------------------------------|------|
| 1        | HUB1009-24-32      | Pro 4 Rear Hub Body 190mm 32H          | 1    |
| 2        | HUB1006-10S        | FATSNO 170mm Rear disc axle - Silver   | 1    |
| 3        | S6903              | Stainless Steel Bearing - S6903 2RS    | 2    |
| 4        | HUB536 (includes*) | Pro 4 Freehub Assembly 11spd Aluminium | 1    |
| 5        | HUB1009-18*        | Pro 4 1mm Barrel Spacer                | 1    |
| 6        | HUB1009-20S*       | Pro 4 11spd Freehub Spacer - Silver    | 1    |
| 7        | S17287*            | 17 x 28 x 7 Bearing                    | 1    |
| 8        | 17287*             | 17 x 28 x 7 Bearing                    | 1    |
| 9        | HUB535*            | Pawl (set of four)                     | 1    |
| 10       | HUB515*            | Pawl spring (set of four)              | 1    |
| 11       | HUB1009-5*         | Drive side seal                        | 1    |
| 12       | HUB519             | Non-drive Side Seal                    | 1    |
| 13       | HUB471             | X12 Drive Side Spacer                  | 1    |
| 14       | HUB470             | QR Drive Side Spacer                   | 1    |
| 15       | HUB463N            | X12 Non-drive Side Spacer              | 1    |
| 16       | HUB461N            | QR Non-drive Side Spacer               | 1    |