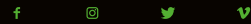


GRIPS

hope



HOPETECH.COM



CAUTION: READ THIS BEFORE INSTALLING YOUR GRIPS!

Riding bicycles can be dangerous. These instructions should be read thoroughly before installing your grips. Failure to follow these instructions before bleeding your brakes and using Hope Technology components can result in severe injury or death.

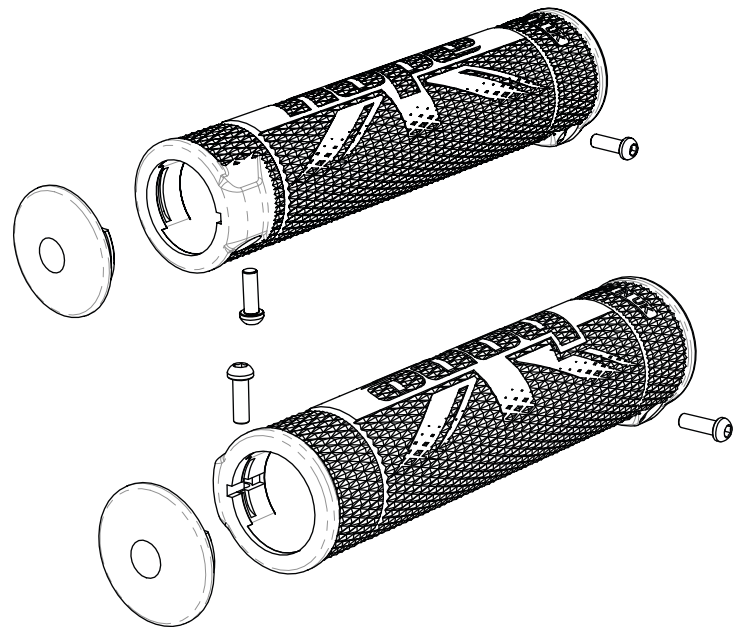
- Only install these grips on Ø22.22 (Ø7/8") handlebars.
- Do not modify the grips, modification could lead to premature failure.
- This product is not compatible with Grip Shift.
- Check the screws are torqued to the correct setting prior to every ride.
- Ensure all four clamps are firmly locked onto the handlebar. Do not leave any clamps overhanging the bars.
- Excessive torque on the screws may lead to the threads being stripped.
- Only use original 'Hope' grip bolts as these have been specifically designed and manufactured for the application.

BOX CONTENTS

- Left-hand Side Handlebar Grip Body
- Right-hand Side Handlebar Grip Body
- M3.5x10 Dome Head Socket Screw x 4
- End Cap x 2

TOOLS REQUIRED

- 2.5mm Hex · Torque wrench



PRELIMINARY CHECKS

001 If you have grips currently installed on your handlebars, remove these first.

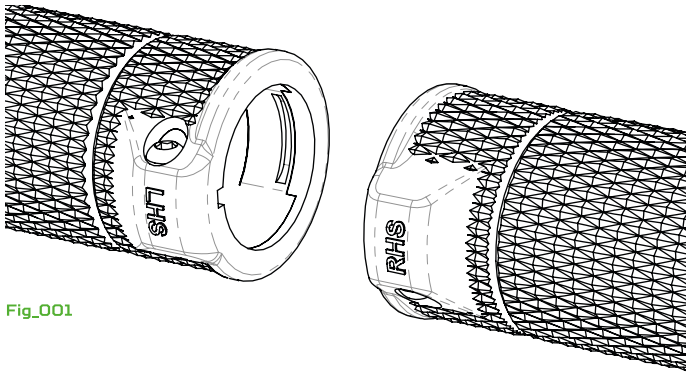
002 Ensure the surfaces of the handlebar where the grips will be located are clean, dry and free from any contaminants (Dirt, grease, glue, moisture, etc).

003 Loosen all screws slightly to allow for easier installation.

hope | GRIPS

INSTALLATION

001_Ensure you have the correct side grip as they are handed. This is designated by LHS or RHS moulded into the grip. (Fig_001)



Fig_001

002_Slide the grips onto the handlebar until you feel the end cap of the grip come into contact with the end of the handlebar.

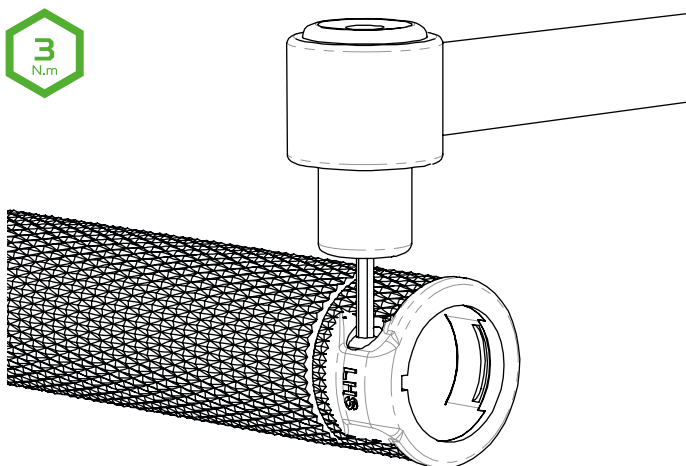
003_Rotate the grip so the 'Hope' logo is facing upwards.



Fig_002

004_Sit/stand on your bicycle to assume your desired riding position. Rotate the grips to position the protrusions/screw heads on the ends of the grip to a comfortable position [if positioned correctly you should not be able to feel these].

005_Finally using a torque wrench with a 2.5mm hex, tighten all bolts to 3N.m.



REMOVING THE END CAP

001_Loosen all four screws and slide the grips off the end of the handlebar.

002_Remove the screws from the end of the grip which the end cap is located on using a 2.5mm hex.

003_Remove the end cap by pushing it sideways towards the boss (as shown in Fig_003), then pull it up on the same side (Fig.4). This will then allow you to remove the cap.

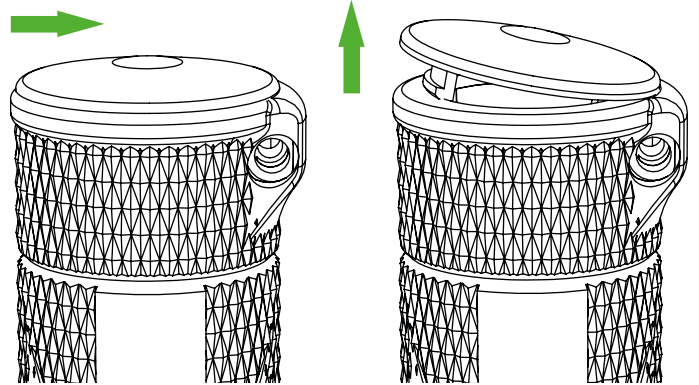
REPLACING THE END CAP

001_Before installing new end caps, check for any debris or dirt in the grips.

002_Ensure the end caps are orientated correctly so the logo is the correct way round and the locking tabs are aligned with the grooves in the aluminium locking rings [these are moulded into the grip].

003_Place one of the locking tabs into the grip [on the boss side as shown in Fig_004] ensuring it locates into the groove and push the other side down ensuring you do not trap the rubber [you should here it snap into position].

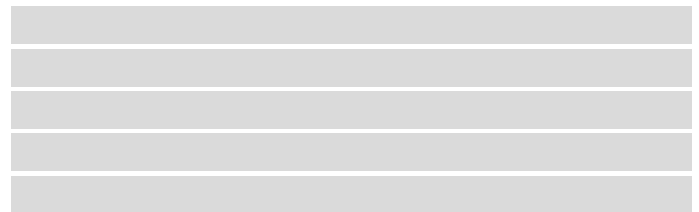
004_Check the end cap is firmly locked in place by pulling on it before re-assembling the screws into the grips and locating back onto the handlebars.



Fig_003

Fig_004

NOTES:



INST001_EN: Instruction - Grips - V1

HOPE WARRANTY

All Hope Technology components are covered for two years from original date of purchase against manufacturer defects in material and workmanship. Proof of purchase is required. Product must be returned to the original retailer to process any warranty claim. This warranty does not cover any damage caused through mis-use or failing to comply by the recommendations given in this manual. This warranty does not affect your statutory rights.

HOPE TECHNOLOGY
(IPCO) Limited

Hope Mill, Calf Hall Road
Barnoldswick, Lancashire
BB18 5PX, United Kingdom