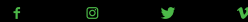


GRAVITY

DIRECT MOUNT



HOPETECH.COM

CAUTION: READ THIS BEFORE INSTALLING YOUR STEM!

Riding bicycles can be dangerous. These instructions should be read thoroughly before installation. Failure to follow these instructions before installing and using Hope Technology Components can result in severe injury or death.

- Ensure the handlebar clamp area is clean and dry (no grease!)
- Remove all bolts from the stem and apply a small amount of grease to the threads and under the head of the bolt.

TOOLS REQUIRED

- 5mm Hex • Torque Wrench

PRODUCT SPECIFICATIONS

- Compatible with: my2009 FOX40 forks and onwards.
- All Rock Shox Boxxer forks, my2013 Marzocchi 888 onwards.
- All Marzocchi 380 forks.
- All Ohlins forks.
- Handlebar clamp diameter : Ø31.8mm and Ø35mm
- Bar position: 40 or 50mm reach - 18mm rise above upper crown top face

NOTE:

- All bolts used in the crown are custom made for Hope.
- **DO NOT** use any lower strength bolts.
- **DO NOT** use shorter bolt length than the one specified here.
- **FULL THREAD** engagement is required.

 | GRAVITY

MAINTENANCE

- Periodically check the hardware for tightness.
- Be careful not to over-tighten the bolts!
- Periodically regrease hardware using appropriate grease.
- Regularly inspect all parts of the stem for damage and cracks, especially after any BIG CRASH!

NOTES:

INST039_EN: Instruction - Gravity Direct Mount Stem - V1

HOPE WARRANTY

All Hope Technology Components are covered for two years from original date of purchase against manufacturer defects in material and workmanship. Proof of purchase is required. Product must be returned to the original retailer to process any warranty claim. This warranty does not cover any damage caused through mis-use or failing to comply by the recommendations given in this manual. This warranty does not affect your statutory rights.

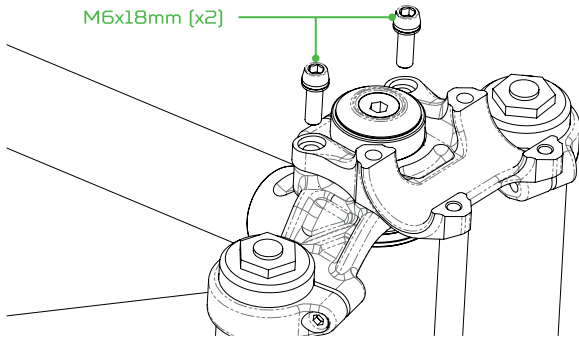
HOPE TECHNOLOGY
(IPCO) Limited

Hope Mill, Calf Hall Road
Barnoldswick, Lancashire
BB18 5PX, United Kingdom

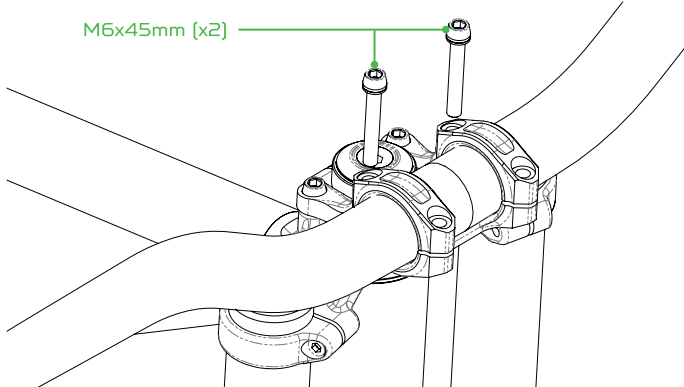
T: 01282 851400 E: info@hopetech.com W: hopetech.com

INSTALLATION: 40mm and 41.50mm

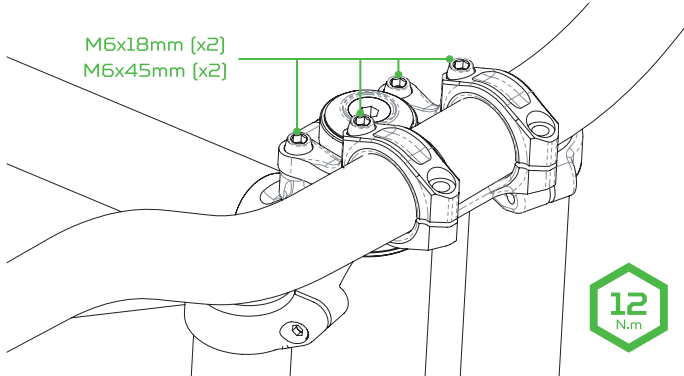
001_ Remove the existing stem if present. Install the direct mount stem on the top of the upper crown and thread in by hand the 2x M6x18mm bolts.



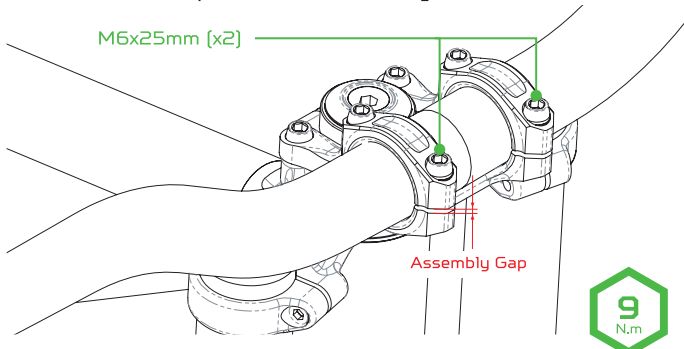
002_ Install the handlebar in the desired position and fit the two top clamps. Thread by hand the 2x M6x45mm bolts and slightly tighten them.



003_ When you are satisfied with the handlebar position and orientation, alternatively tighten the four bolts screwed into the top crown in a cross pattern to **10-12N.m**

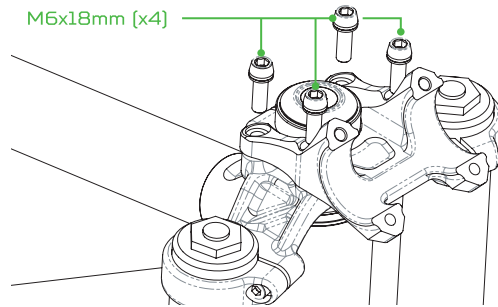


004_ Install and tighten the two remaining M6x25mm bottom clamp bolts to **9N.m**. Alternate between the two bolts until torque setting is achieved. There should be an assembly gap between the clamps and the stem body.

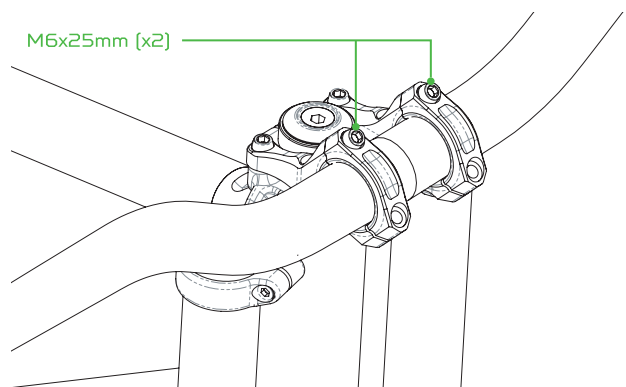


INSTALLATION: 50mm

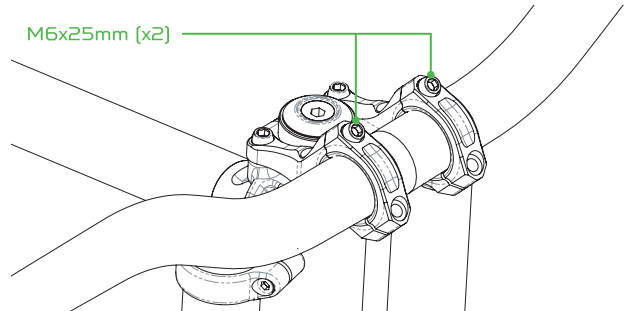
001_ Remove the existing stem if present. Install the direct mount stem on the top of the upper crown and thread in by hand the 4x M6x18mm bolts. Tighten the four bolts in a cross pattern to **10-12 N.m** torque.



002_ Install the handlebar in the desired position and fit the two top clamps. Install the 2x M6x25mm top clamp bolts and slightly tighten them.



003_ When you are satisfied with the handlebar position and orientation, tighten first the two top clamp bolts to **9N.m**. Alternate between the two bolts until torque setting is achieved and the top of each clamp is sitting flush against the stem body.



004_ Install and tighten the two remaining M6x25mm bottom clamp bolts to **9N.m**. Alternate between the two bolts until torque setting is achieved. There should be an assembly gap between the clamps and the stem body.

