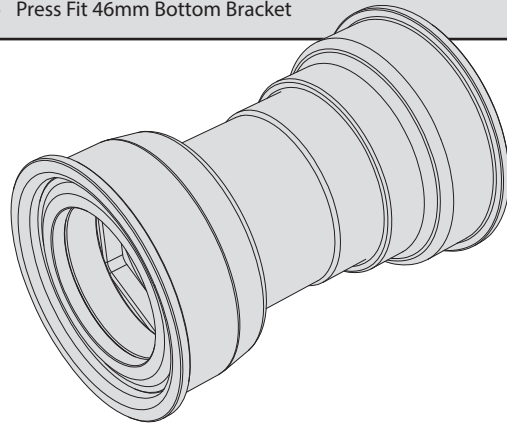




Press Fit 46mm Bottom Bracket

For 30mm crank spindles

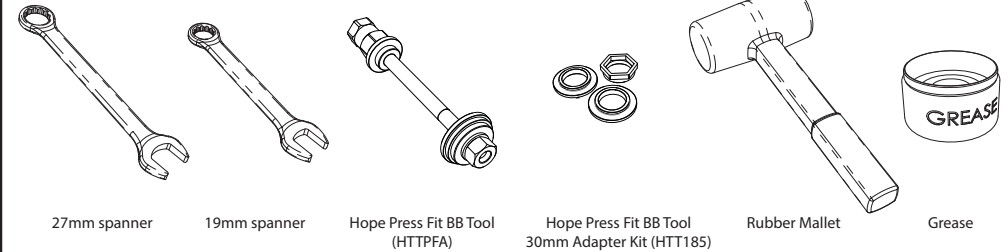


**HOPE TECHNOLOGY**  
 Hope Mill,  
 Barnoldswick,  
 Lancashire,  
 ENGLAND  
 BB18 5PX

BBPF467330SSNS  
 BBPF468330SSNS

www.hopetech.com

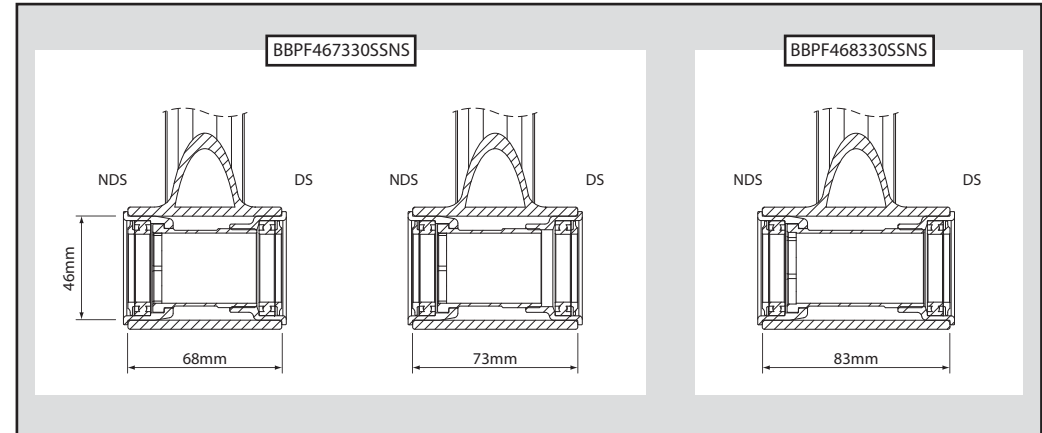
Tools required:



27mm spanner    19mm spanner    Hope Press Fit BB Tool (HTTFFA)    Hope Press Fit BB Tool 30mm Adapter Kit (HTT185)    Rubber Mallet    Grease

We strongly advise that this bottom bracket is installed and maintained by a competent cycle mechanic, using Hope Press Fit BB Tool (HTTFFA) with the 30mm Adapter Kit (HTT185). BBPF467330SSNS is intended for installation in b.b. shells with an internal diameter of 46mm and widths of 68mm or 73mm. BBPF468330SSNS suits b.b. shells with an internal diameter of 46mm and a width of 83mm. Check internal edges of bottom bracket shell and remove any burrs or paint build-up prior to fitting. Ensure that the bearings (S71806) are fitted the correct way with the green seal facing outside.

ITEM NO.	HOPE PART NO.	DESCRIPTION
1	BB009-4	30mm Alloy Seal Ring_Short
2	S71806	30mm BB Stainless Steel Bearing
3	BB009-3	30mm Bolt-in Centre Tube_Short (BBPF467330SSNS)
	BB006-3	30mm Bolt-in Centre Tube (BBPF468330SSNS)
4	BB009-1	PF46 30mm Non-Drive Side Cup
5	BB009-2	PF46 30mm Drive Side Cup



1. Install the drive side cup (with bearing fitted).

Apply grease to the internal surface of the B.B. shell. Drive side cup (Item No. 5). Ensure outer seal rings are not installed at this stage.

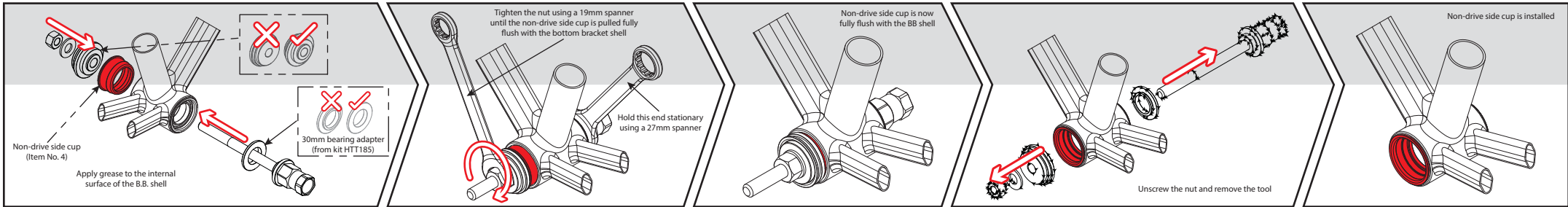
Tighten the nut using a 19mm spanner until the drive side cup is pulled fully flush with the bottom bracket shell.

Drive side cup is now fully flush with the BB shell.

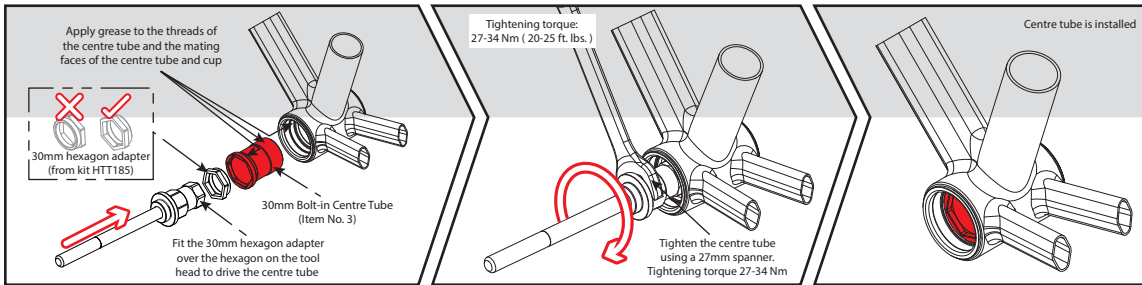
Unscrew the nut and remove the tool.

Drive side cup is installed.

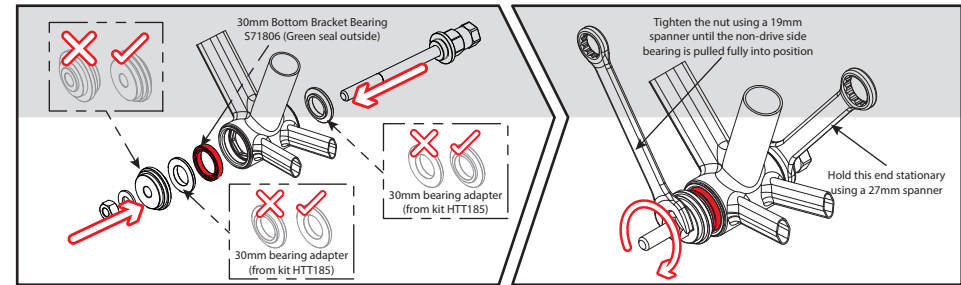
## 2. Install the non-drive side cup (without bearing fitted).



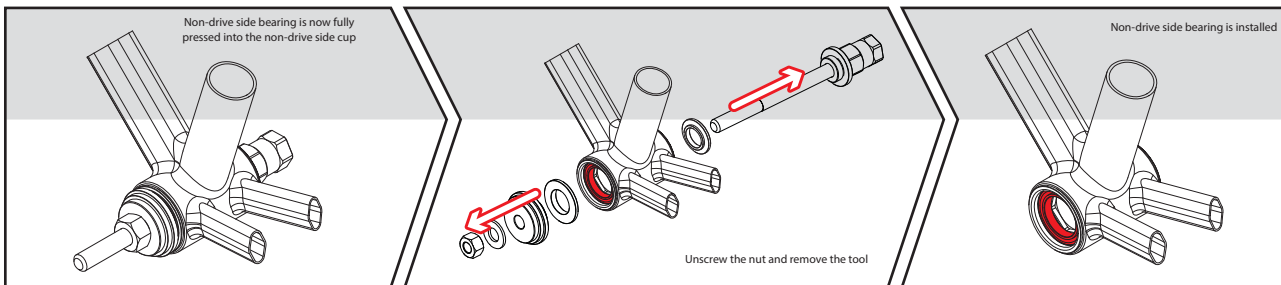
## 3. Install the centre tube.



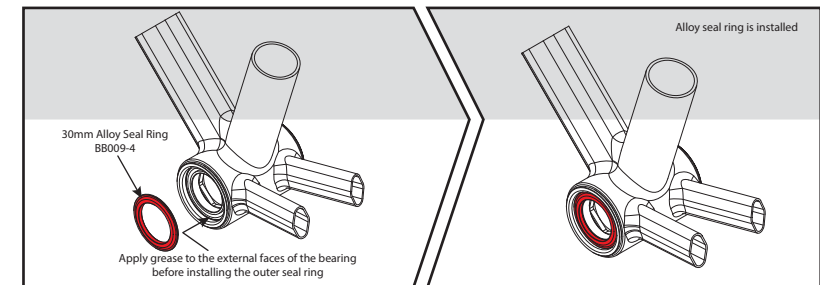
## 4. Install the non-drive side bearing. Ensure the bearing is fitted with the green seal outside.



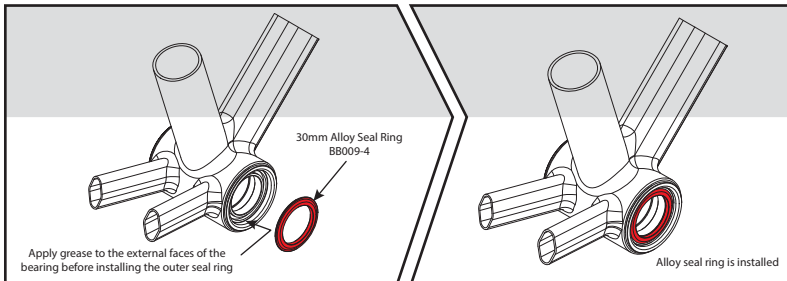
## 4. Install the non-drive side bearing (continued).



## 5. Install non-drive side outer seal ring.



## 6. Install drive side outer seal ring.



Your bottom bracket is now fully installed and ready for the continued installation of your crank set.